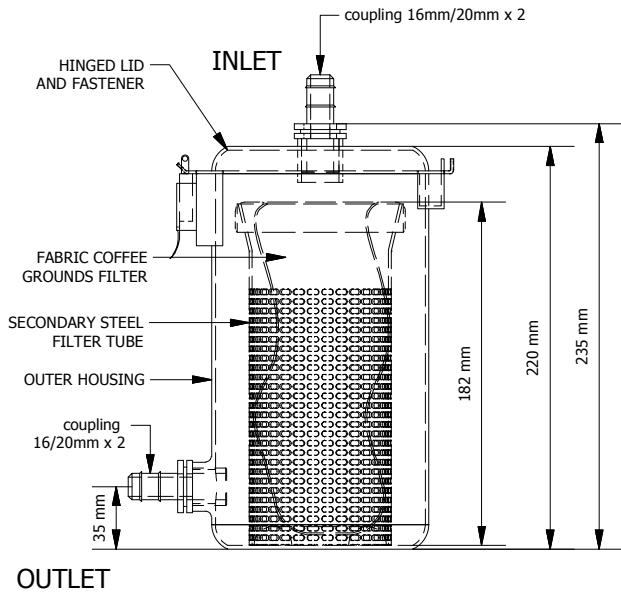


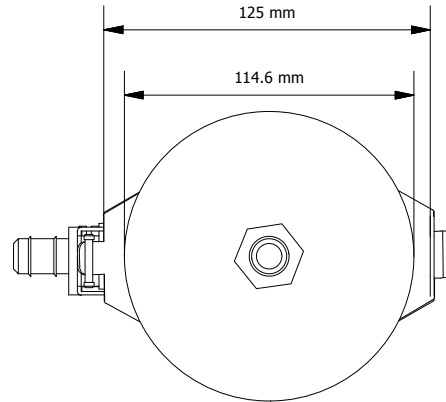
# ST2 Mini Coffee Guardian Specifications

dimensions in mm

**SIDE VIEW**



**TOP VIEW**



PRODUCT CHARACTERISTICS			
	HOUSING	FABRIC FILTER	METAL FILTER
MATERIAL	STAINLESS STEEL, 16 GAUGE	NYLON	STAINLESS STEEL 16 GAUGE
CAPACITY	1.78 LITRES	600gr	600gr

## INSTALLATION ADVICE

ST2 MINI SYSTEM SHOULD BE POSITIONED IN THE CABINET BENEATH THE COFFEE MACHINE USING BRACKET PROVIDED. OBSERVE THE FOLLOWING:

### POSITIONING:

- ENSURE CLEARANCE IS PROVIDED FOR OPENING OF HINGED LID AS INDICATED HERE.
- ENSURE SYSTEM IS PLACED CLOSE TO THE FRONT OF CABINET FOR EASY INSPECTION AND ACCESS.

USE THE EXISTING COFFEE MACHINES FLEXIBLE WASTE HOSE TO CONNECT THE ST2 MINI INLET TO THE COFFEE MACHINE WASTE OUTLET ABOVE. SIMILARLY CONNECT THE ST 2 MINI OUTLET TO FLOOR WASTEPOINT.

ENSURE A GRAVITY FALL IS MAINTAINED FROM THE ST2 MINI OUTLET TO DRAIN

THIS SYSTEM INCLUDES BOTH 16 AND 20 MM HOSECONNECTORS FOR MOST CONNECTION TYPES

## MAINTENANCE NOTES:

FABRIC FILTER CAN BE REPLACED REGULARLY WITHOUT NEED TO REMOVE THE INTERNAL STEEL FILTER

REPLACEMENT FREQUENCY GUIDE FOR 600gr CAPACITY FABRIC FILTER  
 1 CUP OF COFFEE = 0.1gr WASTE  
 100 X CUPS/DAY = 10gr.  
 OR 60 DAYS FILTER CAPACITY ST2 MINI  
VALUES MAY VARY DEPENDING ON COFFEE BRAND AND MACHINE TYPE

TO PERIODICALLY REMOVE AND CHECK THE SECONDARY STEEL FILTER, OR TO CLEAN INSIDE THE MAIN HOUSING, THE ST2 MINI UNIT CAN BE COMPLETELY UNCLIPPED FROM THE WALL BRACKET SHOWN.

## TYPICAL INSTALLATION

